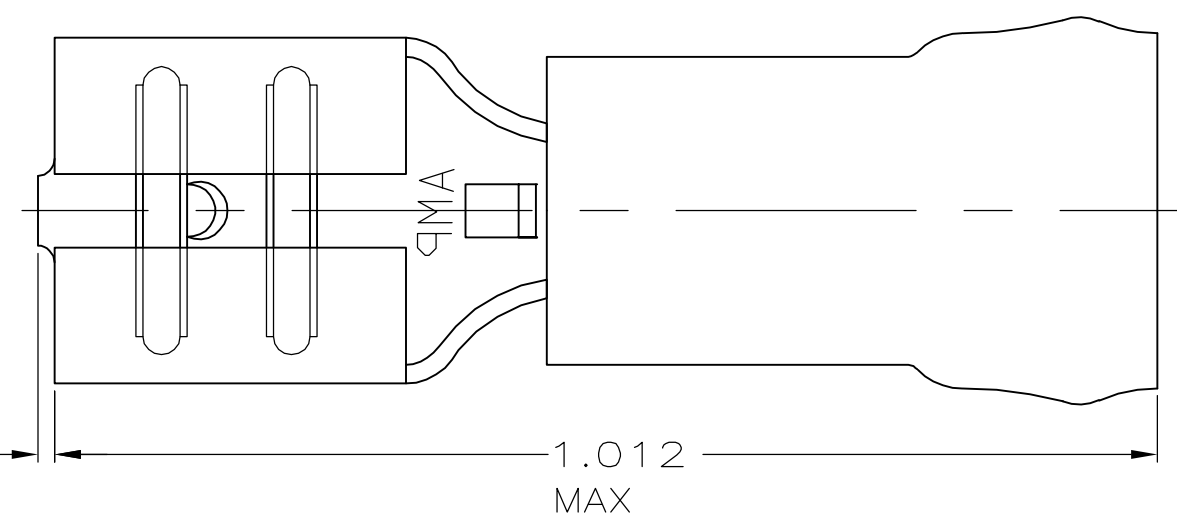


THIS DRAWING IS UNPUBLISHED. RELEASED FOR PUBLICATION
 © COPYRIGHT BY TYCO ELECTRONICS CORPORATION. ALL RIGHTS RESERVED.

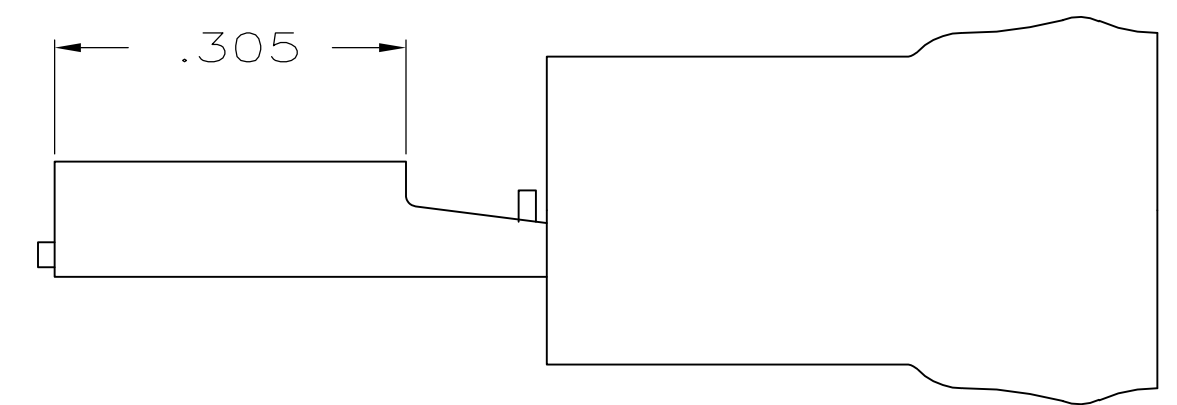
| LOC | DIST | REVISIONS | | | | | |
|-----|------|-----------|-----|-----------------------|---------|-----|------|
| | | P | LTR | DESCRIPTION | DATE | DWN | APVD |
| G | 14 | | J1 | REV PER ECR 06-001832 | 24APR06 | JR | TM |

D



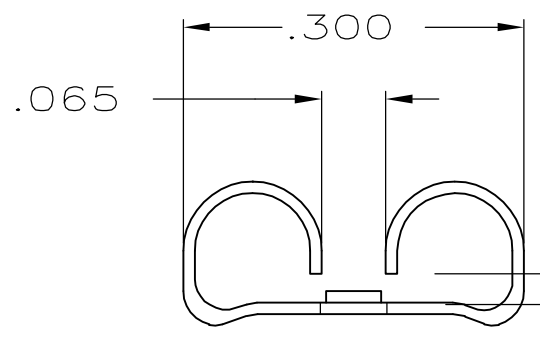
- 1. INSULATION DIA .250 MAX
- 2. FITS TAB .032 THK

C



| | | |
|--------------------------|-----------------------|-----------------------|
| AMP WIRE RANGE | FILE E66717 | LR7189 Certified |
| 12-10 AWG STRANDED | 12-10 AWG STRANDED | 12-10 AWG STRANDED |

B



FITS "250" SERIES
FASTON TAB

| QTY | PACKAGE TYPE | PART NO |
|------|--------------|------------|
| 100 | LOOSE PC,BOX | 8-640907-1 |
| 2500 | TAPE MOUNTED | 640907-2 |
| - | LOOSE PIECE | 640907-1 |

A

| | | | | | | |
|--------------------------------------------------------------------------------------------------------------------------------------------------------------------------------|-----------------------------------|--------------------------------------------------------------------------------------------------------------------------------------------|---------------------------------------------------------------------|-------------------------------------------------------------------------------------------------------------------------------------------------------------------|--------------------------------------------------------------------------------------------------------------------------------------------------------------|---------------------------------------------------------------------------------------------------------------------------------------------------------------------------------------------------------------------|
| TYCO ELECTRONICS CUSTOMER SERVICE SYSTEM FOR ADDITIONAL PRODUCT INFORMATION OR COPIES OF DRAWING AND TECHNICAL DOCUMENTS PRODUCT INFORMATION CENTER 1-800-522-6752 | | MAX RECOMMENDED OPERATING TEMPERATURE: 105°C - VOLTAGE RATING: 300V MAX - CIRCULAR MIL AREA: 5,180-13,100 STRANDED | THIS DRAWING IS A CONTROLLED DOCUMENT. DIMENSIONS: INCHES | TOLERANCES UNLESS OTHERWISE SPECIFIED: 0 PLC ± - 1 PLC ± - 2 PLC ± .015 3 PLC ± - 4 PLC ± - ANGLES ± - FINISH BODY,BRASS .018 BODY,TIN | DWN L OLMEDA 26JUN95 CHK M ELLIS 26JUN95 APVD B BARE 26JUN95 PRODUCT SPEC UL 310 APPLICATION SPEC 114-1002 WEIGHT - CUSTOMER DRAWING | Tyco Electronics Corporation Harrisburg, PA 17105 NAME RECEPTACLE, 250 SERIES, FASTON , PIDG , 12-10 SIZE A3 CAGE CODE 00779 DRAWING NO C-640907 RESTRICTED TO - SCALE 6:1 SHEET 1 OF 1 REV J1 |
| FOR APPLICATION TOOLING INFORMATION TOOLING ASSISTANCE CENTER 1-800-722-1111 | FOR ORDER ENTRY 1-800-526-5142 | | | | | |